

Technical Data

For detailed data and product description refer to the data sheets at www.pepperl-fuchs.com

General Data

Rated operating distance	25 mm
Installation	non-flush
Operating voltage	20 ... 250 V AC/20 ... 300 V DC
Reverse polarity protection	tolerant
Switching frequency	30 Hz
Operating current	4 ... 500 mA AC/DC
Short-circuit protection	✓
Operating voltage display	LED, green
Indication of the switching state	LED, yellow
Ambient temperature	-25 ... 70 °C (-13 ... 158 °F)
Housing material	brass, nickel-plated
Protection degree	IP67

Properties

- Ø30 mm housing
- 25 mm, non-flush mountable
- AC/DC, 2-wire switching output
- Cable and connector versions

Model Number

Switching element function	AC/DC NO NC	green = preferred type	NBN25-30GM50-US	NBN25-30GM50-UO	NBN25-30GM50-US-V12	NBN25-30GM50-UO-V12	NBN25-30GM50-US-V93	NBN25-30GM50-UO-V93
Type of voltage	UC		●	●				
Connection type	Device connector 1/2"-20 UN, 3-pin				●			
	Device connector 7/8"-16 UN, 3-pin						●	●
	Device connector M12 x 1, 3-pin							●
	cable PUR, 2 m		●	●				

Approvals and Certificates

UL approval	cULus Listed, General Purpose	●	●	●	●	●	●	●
CSA approval	cCSAus Listed, General Purpose	●	●	●	●	●	●	●
CCC approval	Certified by China Compulsory Certification (CCC)	●	●	●	●	●	●	●

Dimensions

Length L [mm]	51	60	65
Diameter D [mm]		30	
Thread length l _t [mm]		32	
Cap length l ₁ [mm]		18	
Connector area l _c [mm]	0	10	15
LED position		Pos. B	

Accessories

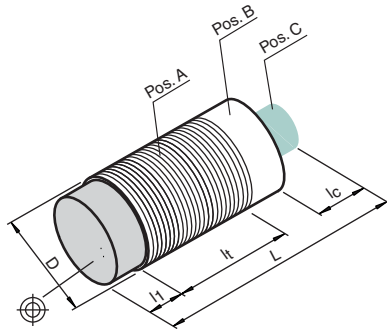
This and more accessories can be found in chapter 10

See pages from 972 ... for cordsets

See pages 1068 ... for mounting aids

BF 30

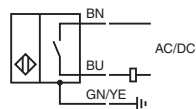
Mounting flange, 30 mm



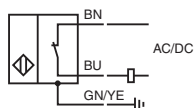
Electrical Connection



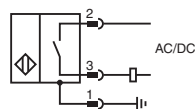
NBN25-30GM50-US



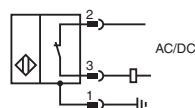
NBN25-30GM50-UO



NBN25-30GM50-US-V93
NBN25-30GM50-US-V12



NBN25-30GM50-UO-V93
NBN25-30GM50-UO-V12



V12



Wire colors

- 1 GN (green)
- 2 RD/BK (red/black)
- 3 RD/WH (red/white)

V93



Wire colors

- 1 GN (green)
- 2 BK (black)
- 3 WH (white)

Date of issue 04/08/2015

Refer to "General Notes Relating to Pepperl+Fuchs Product Information".

Pepperl+Fuchs Group
www.pepperl-fuchs.com

USA: +1 330 486 0001
fa-info@us.pepperl-fuchs.com

Germany: +49 621 776 4411
fa-info@de.pepperl-fuchs.com

Singapore: +65 6779 9091
fa-info@sg.pepperl-fuchs.com

Courtesy of Steven Engineering, Inc - (800) 258-9200 - sales@steveng.com - www.steveng.com